

MODEL 12 FB4

DIMENSIONS (mm)

Overall:
H: 53 W: 416 D: 354

Compartment:
H: 52 W: 372 D: 319

Internal tray capacity:
H: 30 W: 335 D: 225

WEIGHT

7.5kg

RESERVATION AREA REQUIRED (mm)

H: 53 W: 377 D: 328

RESISTANCE

Ballistic resistance: EN 1522 FB4

MODEL 12 FB6

DIMENSIONS (mm)

Overall:
H: 82 W: 412 D: 352

Compartment:
H: 80 W: 396 D: 334

Internal tray capacity:
H: 30 W: 335 D: 225

WEIGHT

23kg

RESERVATION AREA REQUIRED (mm)

H: 96 W: 416 D: 338

RESISTANCE

Ballistic resistance: EN 1522 FB6

MODEL 12 FB7

DIMENSIONS (mm)

Overall:
H: 82 W: 412 D: 360

Compartment:
H: 80 W: 396 D: 342

Internal tray capacity:
H: 30 W: 335 D: 225

WEIGHT

27kg

RESERVATION AREA REQUIRED (mm)

H: 96 W: 416 D: 346

RESISTANCE

Ballistic resistance: EN 1522 FB7

CASH HANDLING SYSTEM

Cash-handling systems are designed for safe and secure handling of banknotes, coins, tickets and documents, between a secure line. They can be installed with integrated pay windows or across glass façades, on in some instances surface-mounted onto reception desks.

Typical applications include stadia, cash offices, reception desks, security offices, embassies, public authorities, foreign exchange, police stations, and prisons.

MAIN FEATURES

- Stainless steel structure on black steel box
- Interior brown-black RAL 8022 fixed plate made of specialist material
- Interior use
- Ballistic resistance
- Quick and easy to install
- Allows transfer of documents up to A4 format, 30mm in height.

OPTIONAL

- Can be integrated into a door, airlock or partition



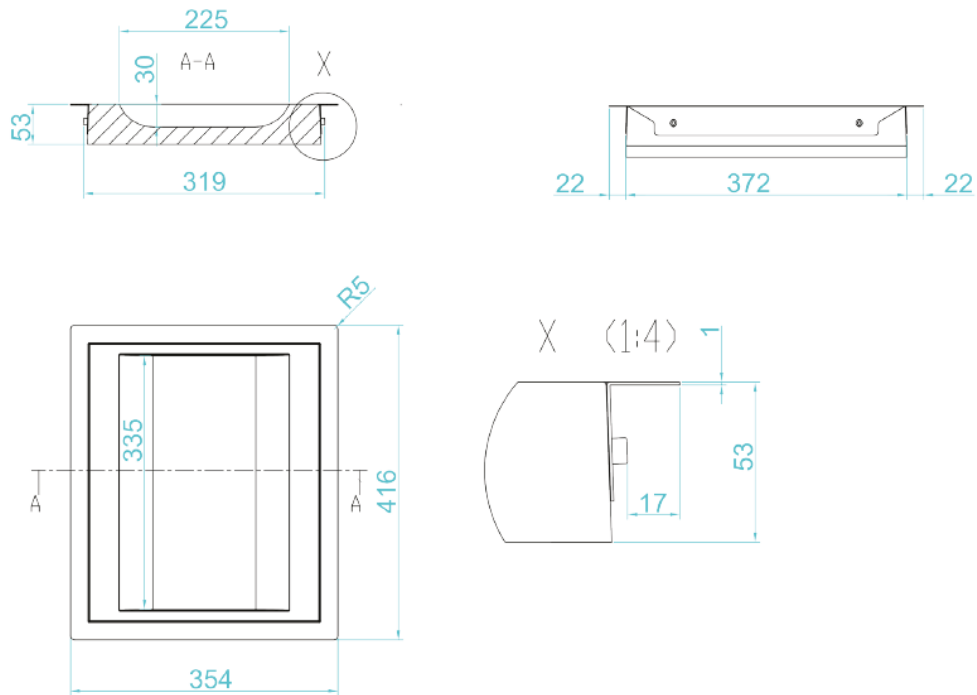
SERVICE &
MAINTENANCE
AVAILABLE

+44 (0) 1322 223 233

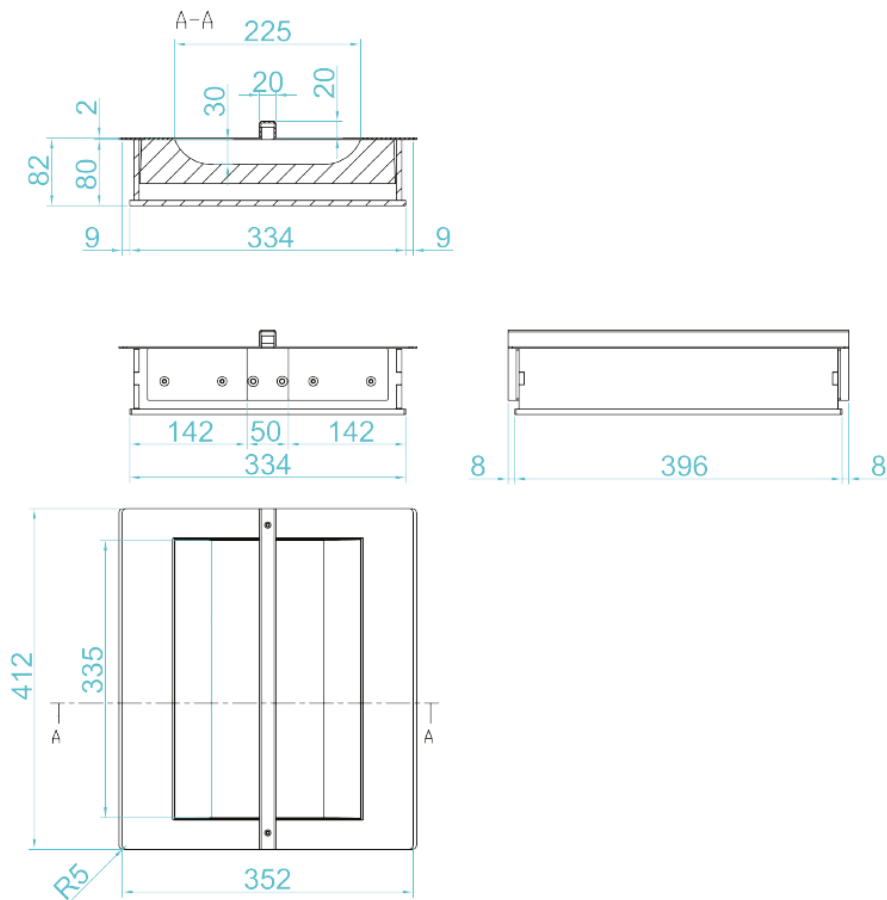
sales@safetell.co.uk safetell.co.uk

TECHNICAL DRAWINGS

Model 12 FB4



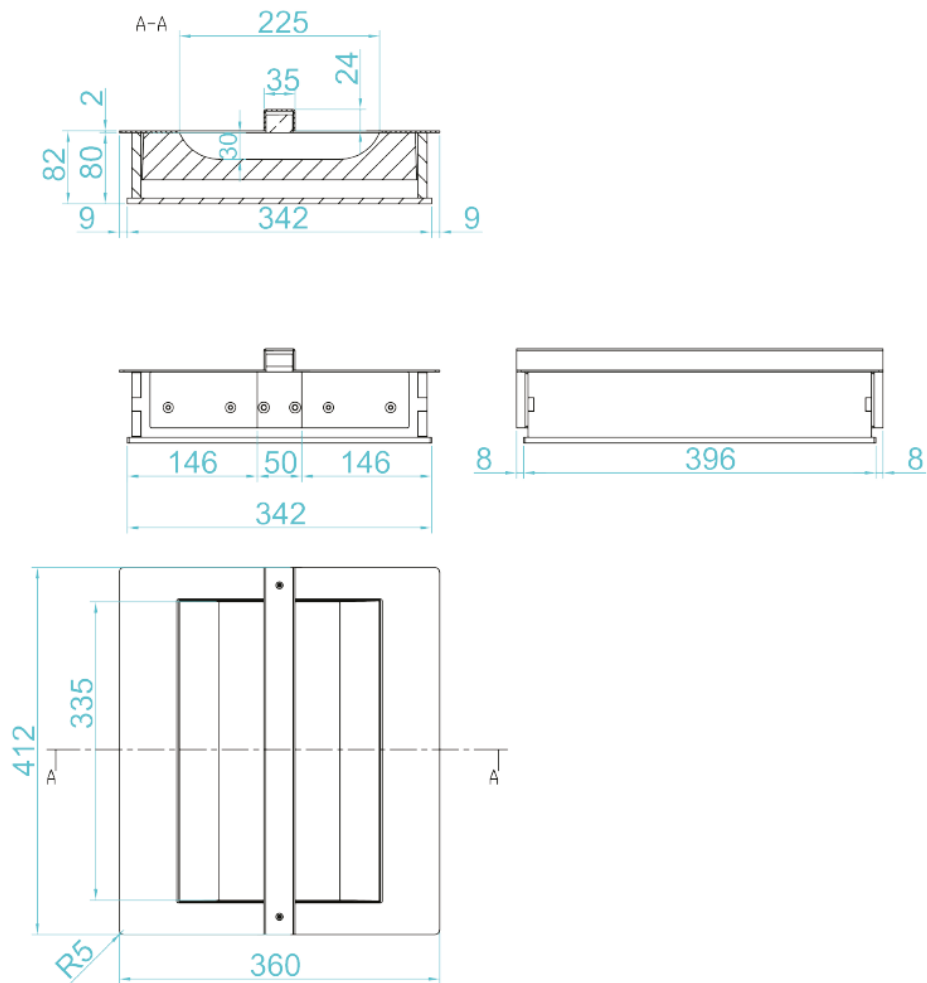
Model 12 FB6



+44 (0) 1322 223 233

TECHNICAL DRAWINGS

Model 12 FB7



WE ARE FULLY ACCREDITED



+44 (0) 1322 223 233

